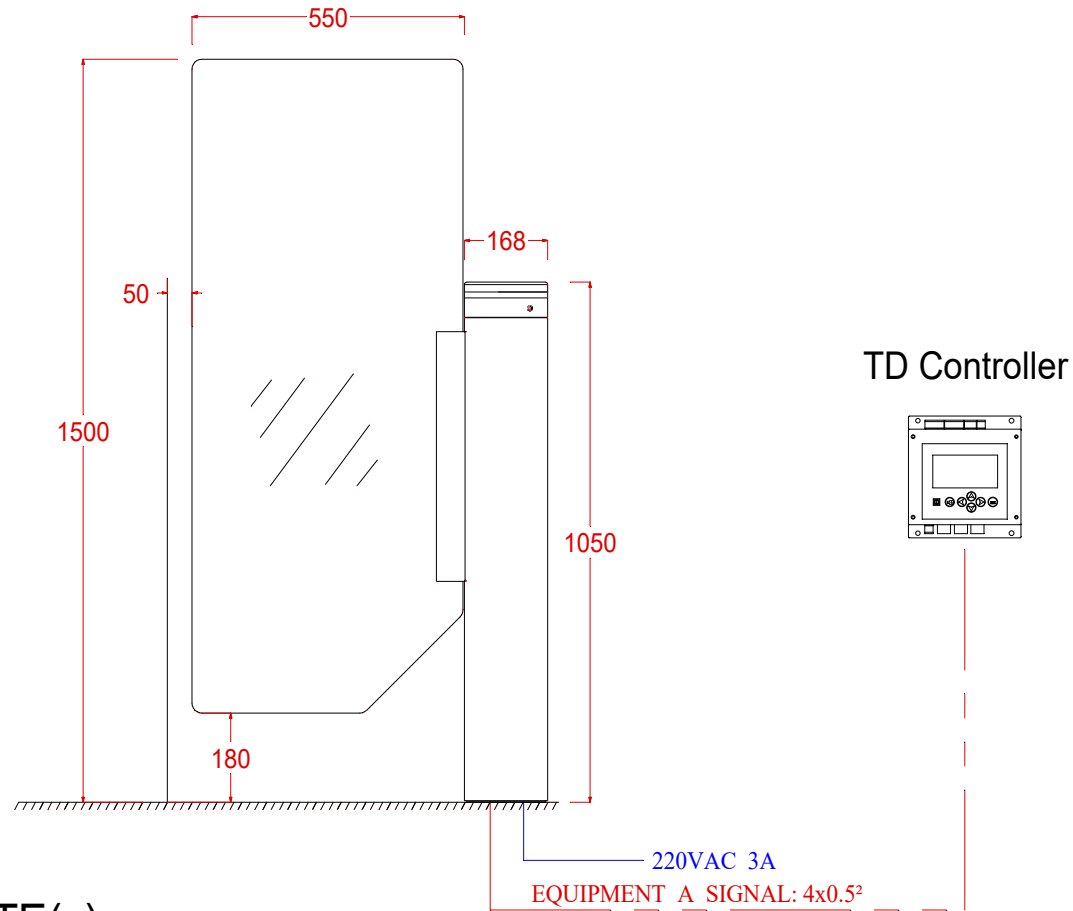


# SWING GATE

## SG103 - Toughened Glass



### SAFETY NOTE(s)

1. We strongly recommend that a full user risk assessment to BS7036 is carried out at the initial design stage.

DATE	12/02/18	PART NAME	SHEET	1 OF 100	
DRAWN	A Brown	SG103 - Toughened Glass	DWG	DRAWING No.	REV 0
CHECKED			B	SG103-000-000	
APPROVED			SIZE		
SCALE					

**EVOLVE**  
SECURITY PRODUCTS