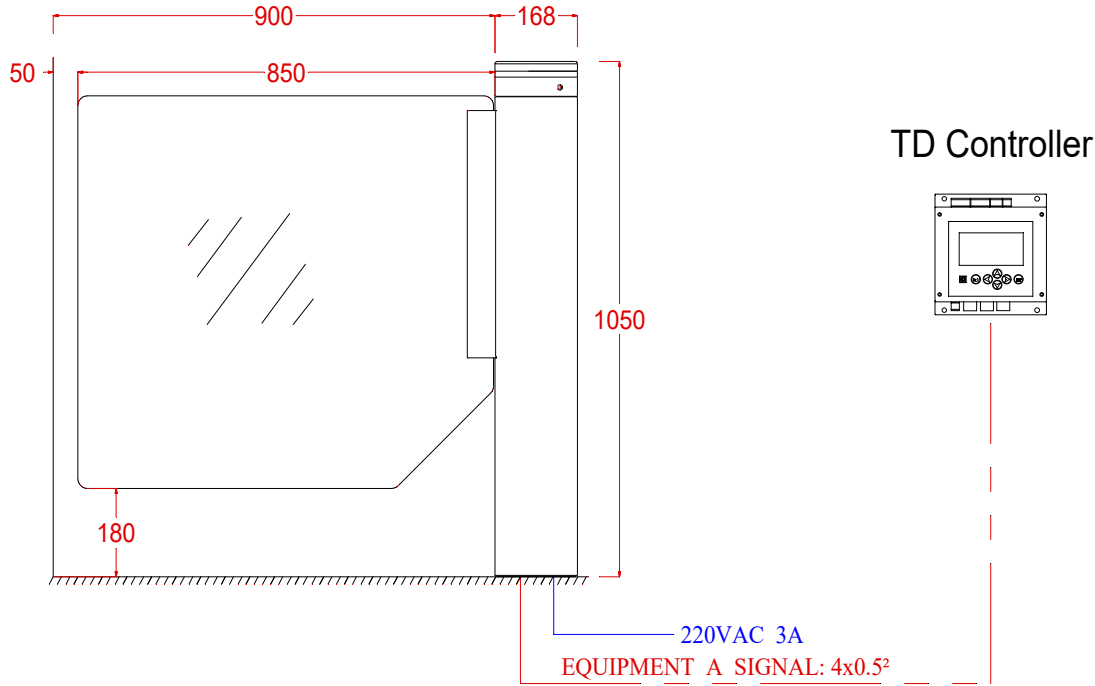


# SWING GATE

## SG101 - Toughened Glass



### SAFETY NOTE(s)

1. We strongly recommend that a full user risk assessment to BS7036 is carried out at the initial design stage.

DATE	12/02/18	PART NAME	SHEET	1 OF 100	<b>EVOLVE</b> SECURITY PRODUCTS		
DRAWN	A Brown	SG101 - Toughened Glass	DWG	DRAWING No. SG101-000-000			
CHECKED			B			REV	
APPROVED							0
SCALE							