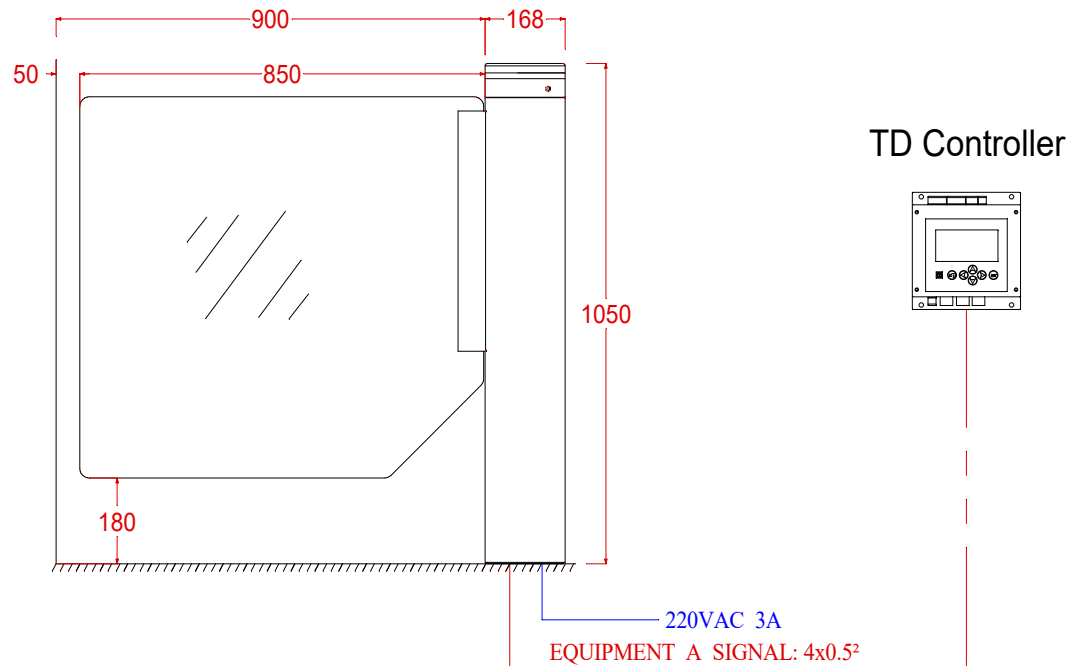


SWING GATE SG100 - Plexiglass



SAFETY NOTE(s)

1. We strongly recommend that a full user risk assessment to BS7036 is carried out at the initial design stage.

DATE	12/02/18	PART NAME	SHEET	1 OF 100		EVOLVE SECURITY PRODUCTS
DRAWN	A Brown	SG100 - Plexiglass	DWG	DRAWING No.	REV	
CHECKED			B	SG100-000-000	0	
APPROVED			SIZE			
SCALE						